

# KANGAROO SERIES



**True Source  
of Energy**

**MSE 185 - 200 WATT**  
(Bifacial Solar Module)



## Electrical Specifications

\* STC irradiance of 1000W/m<sup>2</sup> spectrum AM 1.5 and cell temperature of 25°C

Module Type	Pm(W)	Tolerance	I <sub>mp</sub> (A)	V <sub>mp</sub> (V)	I <sub>sc</sub> (A)	V <sub>oc</sub> (V)	Efficiency
MS185M6-B60HSW	185	0/+3%	5.28	36.94	5.50	44.88	15.27%
MS190M6-B60HSW	190	0/+3%	5.42	36.95	5.65	44.95	15.67%
MS195M6-B60HSW	195	0/+3%	5.55	36.97	5.73	45.03	15.97%
MS200M6-B60HSW	200	0/+3%	5.65	37.01	5.86	45.11	16.06%

Bifaciality:70%±10%

## Bifacial Gain

		185W	190W	195W	200W
10%	P <sub>m</sub> (STC)	203.5W	209W	214.5W	220W
20%	P <sub>m</sub> (STC)	222.0W	228W	234.0W	240W
30%	P <sub>m</sub> (STC)	240.5W	247W	253.5W	260W

## Mechanical Data

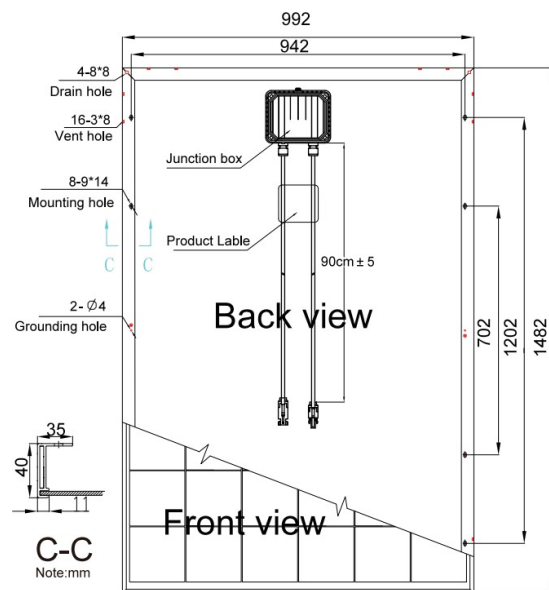
Cell Type	P type Mono-crystalline
Cell Arrangement	54 cells in series
Module Structure	Glass/Encapsulant/Glass
Glass Thickness	2.0mm+2.0mm
PV module classification	Class II
Junction Box Rating	IP68
Cables	4mm <sup>2</sup> /1100mm or Customized Length
Connector Type	MC4/MC4 Compatible(1000V) EVO2/EVO2 Compatible(1500V)
Fire Rating Class	Class C

## Maximum Ratings

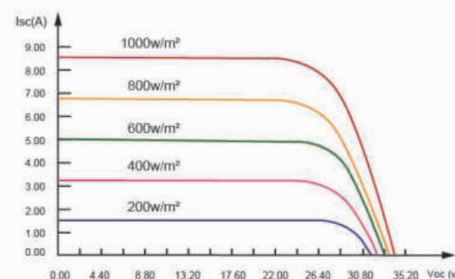
Operating Temperature	-40°C to +85°C
Maximum System Voltage	1500V DC(IEC)
Maximum Series Fuse Rating	15A
Number of Diodes	3

## Packaging

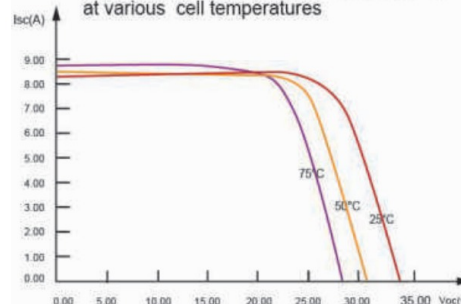
Module Dimensions	1482x992x35mm
Weight	17.5kg
Container	40' HQ
Pieces per Pallet	31
Pieces per Container	810



I-V Curves of PV module ZDNY-220P54 at various solar irradiance



I-V Curves of PV module ZDNY-220P54 at various cell temperatures





## Temperature Ratings

Nominal Operating CellTemp	45°C 2°C
Tempcoefficient of Pmax	-0.37%/°C
Tempcoefficient of Voc	-0.29%/°C
Tempcoefficient of Isc	0.05%/°C



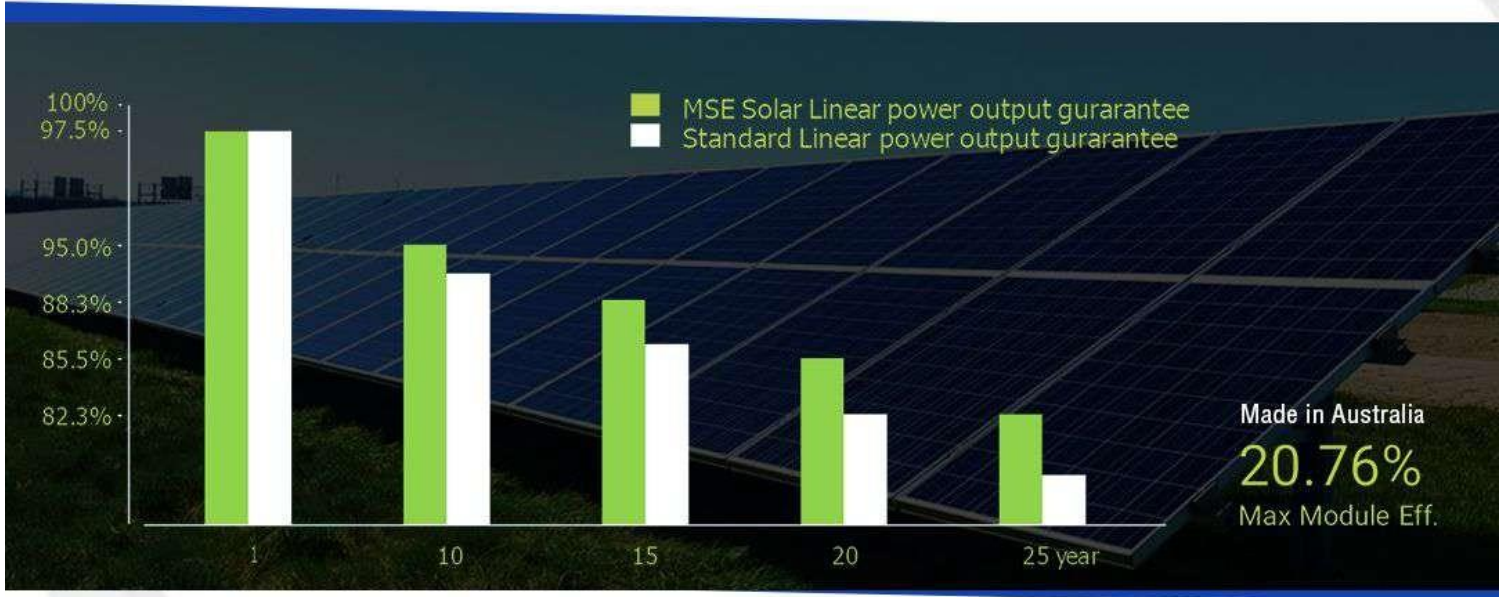
## Maximum Ratings

Operational Temp	-40 to +85°C
Max system Voltage	1500V DC (IEC)
Max Series Fuse Rating	20A
Mechanical Load	5400pa



## Performance Warranty

Max power degradation	0.5%/year
	97.5% at the end of first year
	95.0% at the end of 10th year
	85.5% at the end of 25th year



## Contact Us



### Msquare Energy Pty Ltd



96-100 Toongabbie Rd  
Girraween NSW Australia 2145




1800 336 786 / +61 286073354



[www.msquareenergy.com.au](http://www.msquareenergy.com.au)



[support@msquareenergy.com.au](mailto:support@msquareenergy.com.au)

 /msquareenergy01